

CV-915

VGA and Audio to HDMI Converter

User Manual



Full HD
1080

WUXGA
x1920
x1200

dvi
digital visual interface



rev: 131106
Made in Taiwan



Safety and Notice

The **CV-915 VGA and Audio to HDMI Converter** has been tested for conformance to safety regulations and requirements, and has been certified for international use. However, like all electronic equipments, the **CV-915** should be used with care. Please read and follow the safety instructions to protect yourself from possible injury and to minimize the risk of damage to the unit.

- Follow all instructions and warnings marked on this unit.
- Do not attempt to service this unit yourself, except where explained in this manual.
- Provide proper ventilation and air circulation and do not use near water.
- Keep objects that might damage the device and assure that the placement of this unit is on a stable surface.
- Use only the power adapter and power cords and connection cables designed for this unit.
- Do not use liquid or aerosol cleaners to clean this unit. Always unplug the power to the device before cleaning.



Warning!

*This device is served purely for conversion between video formats.
This device CANNOT convert the input/output video resolutions.*

INTRODUCTION

The **CV-915 VGA and Audio to HDMI Converter** offers an easy and instant approach for converting analog PC video (VGA) with either digital audio (S/PDIF) or analog stereo audio to digital HDMI. With this module, VGA based devices such as PC with S/PDIF or analog stereo audio can readily connect to your HDMI TV. With such a convenience, presentations, demonstrations, or digital signage become easier and more cost effective.

FEATURES

- PC video supports up to UXGA (1600x1200) or WUXGA (1920x1200)
- Supports most popular VESA resolutions from 640x480 up to WUXGA
- Front panel LED indicators
- Easy installation

PACKAGE CONTENTS

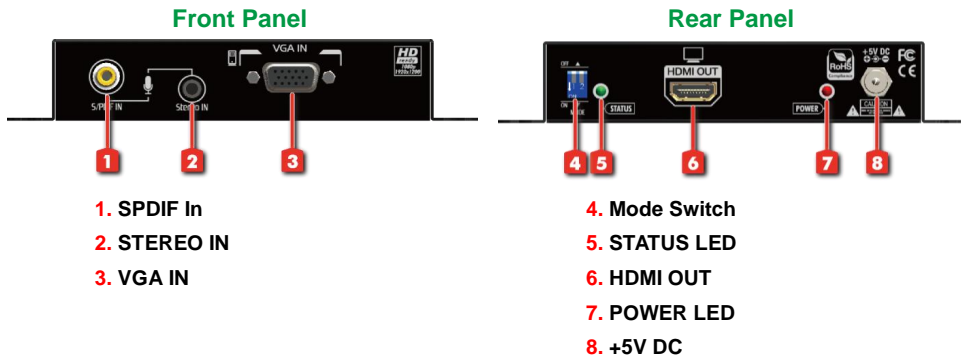
- 1x CV-915
- 1x DC 5V 2A wall wart
- 1x User Manual

SPECIFICATIONS

Model Name	CV-915	
Technical	Converter	
HDMI compliance	HDMI	
Video bandwidth	Single-link 165MHz [4.95Gbps]	
Video support	Up to single link: 1080p@60, WUXGA [1920x1200@60Hz], UXGA	
Audio support	Stereo audio	
Input TMDS signal	1.2 Volts [peak-to-peak]	
Input DDC signal	5 Volts [peak-to-peak, TTL]	
PCB stack-up	4-layer board [impedance control — differential 100Ω; single 50Ω]	
Input	1x VGA 1x RCA 1x 3.5mm	
Output	1x HDMI	
HDMI connector	Type A [19-pin female]	
VGA connector	HD-15 [15-pin D-sub female]	
RCA connector	Coaxial S/PDIF digital audio [PCM 48kHz]	
3.5mm connector	Analog stereo audio	
Control Switch	2-pin DIP switch	
Mechanical		
Housing	Metal enclosure	
Dimensions [L x W x H]	Model	125 x 93 x 27mm [5" x 3.7" x 1.0"]
	Package	270 x 175 x 80mm [10.6" x 6.9" x 3.1"]
	Carton	450 x 370 x 300mm [1'6" x 1'3" x 11.8"]
Weight	Model	352g [12.4 oz]
	Package	705g [1.6 lbs]
Power supply	5V 2A DC	
Power consumption	3.5 Watts [max]	
Operation temperature	0~40°C [32~104°F]	
Storage temperature	-20~60°C [-4~140°F]	
Relative humidity	20~90% RH [no condensation]	

PANEL DESCRIPTIONS

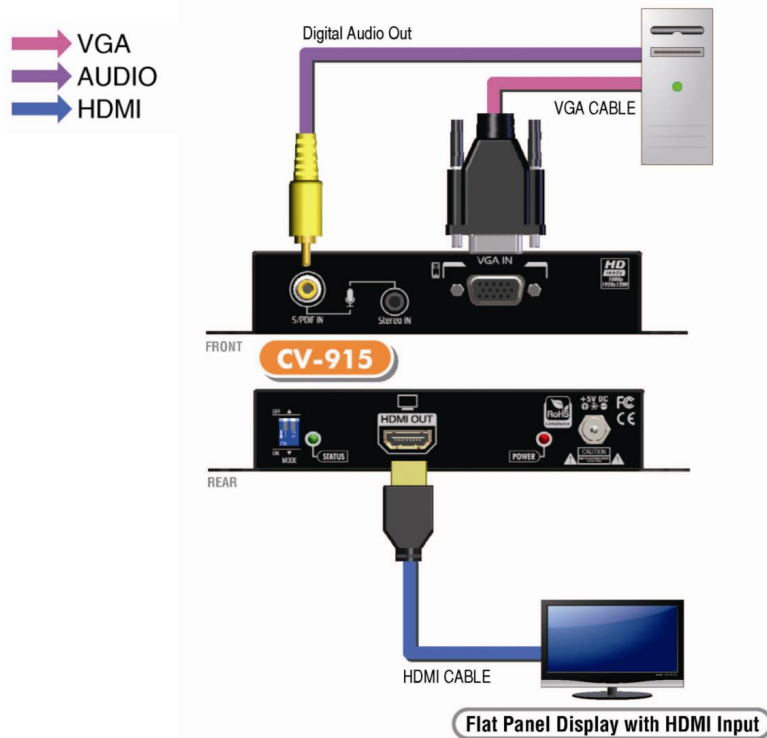
RESOLUTION SUPPORT



PC video (VGA)

640 x 480 @60Hz	800 x 600 @85Hz	1280 x 768 @75Hz	1400 x 1050 @60Hz
640 x 480 @72Hz	1024 x 768 @60Hz	1280 x 768 @85Hz	1400 x 1050 @75Hz
640 x 480 @75Hz	1024 x 768 @70Hz	1280 x 800 @60Hz	1440 x 900 @60Hz
640 x 480 @85Hz	1024 x 768 @75Hz	1280 x 960 @60Hz	1440 x 900 @75Hz
720 x 480 @60Hz	1024 x 768 @85Hz	1280 x 960 @85Hz	1600 x 1200 @60Hz
720 x 576 @50Hz	1152 x 864 @75Hz	1280 x 1024 @60Hz	1680 x 1050 @60Hz
800 x 600 @60Hz	1280 x 720 @50Hz	1280 x 1024 @75Hz	1920 x 1080 @50Hz
800 x 600 @72Hz	1280 x 720 @60Hz	1280 x 1024 @85Hz	1920 x 1080 @60Hz
800 x 600 @75Hz	1280 x 768 @60Hz	1360 x 768 @60Hz	1920 x 1200 @60Hz

CONNECTION DIAGRAM



DIP SWITCH



	Mode
1: OFF-[↑]	Reset to default factory EDID
1: ON-[↓]	Learn & store connected monitor's EDID
2: OFF-[↑]	Analog audio input
2: ON-[↓]	S/PDIF audio input

EDID LEARNING

1. Power up the CV-915. Connect display to **HDMI Output**.
2. To learn EDID from HDMI display, pull down the **DIP switch 1 to ON [↓]**, the green light will be dark and bright to indicate the EDID learning process is complete. You **DON'T NEED** to pull up the DIP switch again unless you want to learn another EDID by pulling DIP switch 1 up and down.

1. Connect VGA source to the video input with a VGA cable.
2. Connect S/PDIF or stereo audio source to RCA jack or 3.5mm earphone jack respectively.
3. Connect HDMI display to the HDMI output connector with a HDMI cable
4. Power up the CV-915.

NOTICE

1. Only HDMI enabled TV sets with underscan/overscan* support, the full active video can be accurately displayed. Some HDMI equipped TV sets may not support this feature. If underscan/overscan* is NOT supported, the top, bottom, left and right border of the active video may be screened, and the S/PDIF audio may not sound right.
2. Analog stereo audio can merely support 2-channel audio. This version does NOT support 8-channel analog audio applications.
3. S/PDIF audio input supports the main 2-channel audio input
4. S/PDIF supports only 48kHz audio sample rate. Other than this rate, the input digital audio should be adjusted to 48kHz in order to get audio signal correctly sent.



* The underscan mode displays the full video frame, which reveals content on the edge that is recorded. In overscan, the field monitor zooms in to the area that would be visible on most televisions. Set the field monitor to underscan if your video will be viewed on a computer monitor or shown with a projector and also to look for light stands, microphones, and other unwanted objects on the edges of your shot. Set it to overscan to see how the video will look on a television.

The SELLER warrants the **CV-915 VGA and Audio to HDMI Converter** free from defects in the material and workmanship for 1 year from the date of purchase from the SELLER or an authorized dealer. Should this product fail to be in good working order within 1 year warranty period, The SELLER, at its option, repair or replace the unit, provided that the unit has not been subjected to accident, disaster, abuse or any unauthorized modifications including static discharge and power surge. This warranty is offered by the SELLER for its BUYER with direct transaction only. This warranty is void if the warranty seal on the metal housing is broken.

Unit that fails under conditions other than those covered will be repaired at the current price of parts and labor in effect at the time of repair. Such repairs are warranted for 90 days from the day of reshipment to the BUYER. If the unit is delivered by mail, customers agree to insure the unit or assume the risk of loss or damage in transit. Under no circumstances will a unit be accepted without a return authorization number.

The warranty is in lieu of all other warranties expressed or implied, including without limitations, any other implied warranty or fitness or merchantability for any particular purpose, all of which are expressly disclaimed.

Proof of sale may be required in order to claim warranty. Customers outside Taiwan are responsible for shipping charges to and from the SELLER. Cables and power adapters are limited to a 30 day warranty and must be free from any markings, scratches, and neatly coiled.

The content of this manual has been carefully checked and is believed to be accurate. However, The SELLER assumes no responsibility for any inaccuracies that may be contained in this manual. The SELLER will NOT be liable for direct, indirect, incidental, special, or consequential damages resulting from any defect or omission in this manual, even if advised of the possibility of such damages. Also, the technical information contained herein regarding the **CV-915** features and specifications is subject to change without further notice.